



DNH

HEAD OFFICE, NORWAY
DNH AS

Phone..... + 47 35 98 56 00
E-mail..... dnh@dnh.no
Web-site..... www.dnh.no

ENGLAND
DNH WW Ltd

Phone..... + 44 1908 275 000
Fax..... + 44 1908 275 100
E-mail..... dnh@dnh.co.uk

GERMANY
DNH GmbH

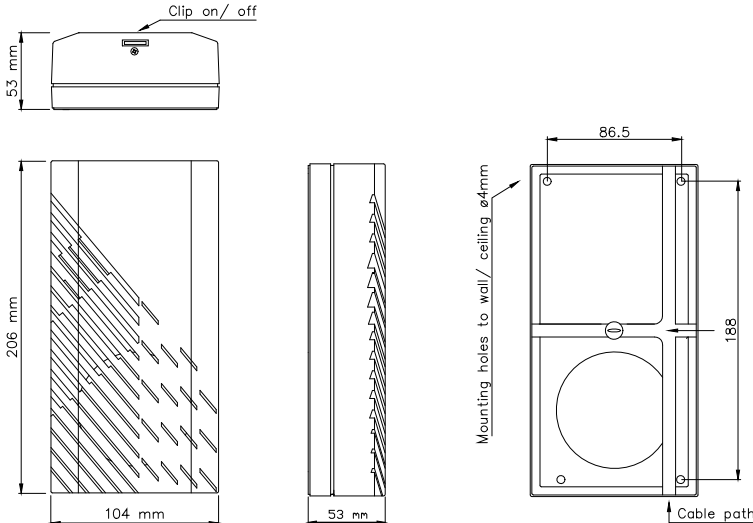
Phone... + 49 040 6569 30-0
Fax..... + 49 040 6569 30-30
E-mail..... dnh@dnh.de

USA
DNH Speakers Inc

Phone..... + 1 484 494 5790
Fax..... + 1 484 494 5793
E-mail..... dnh@dnhspeakers.com

SAFE-10P-54(T)

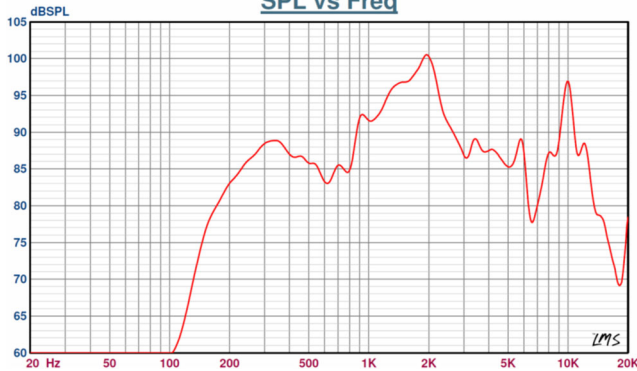
ISO 9001 CERTIFIED



Tested acc. To EN54-24:2008
Type: A
Manufactured by DNH A/S
Kragerø, Norway
18 1438-CPR-0613

70/100 volt combined transformer Primary connections	
White : Green	70 V
White : Red	100 V
Secondary nominal tapings	
C : 1	10,0 W Imp 1064 Ω
C : 2	5,0 W Imp 1923 Ω
C : 3	2,5 W Imp 3333 Ω
C : 4	1,0 W Imp 7143 Ω

Sound pressure levels at 1W/1m
SPL vs Freq



Coverage angles (±6dB)

1 Oct. Pink noise	500Hz	360
1 Oct. Pink noise	1KHz	205
1 Oct. Pink noise	2KHz	155
1 Oct. Pink noise	4KHz	120

Equalization of -5dB at 1600 Hz, -5dB at 2 kHz, +2dB at 4 kHz, +3dB at 5kHz, +4dB at 6,3 kHz, +2dB at 8 kHz

Specifications acc. testing CNBOP / DNH

Material / Color	ABS, RAL 9010
Mounting	4 screws
Termination	Ceramic terminal
Weight w/transformer	0,8 kg
IP-rating	21C / 55
Working temp	55°C to -10°C / 90°C to -40°C
Rated power	10W
Sensitivity 1W/4m	72 dB
SPL 10W/4m	81 dB
Freq. range	100Hz – 17000Hz
Measurement environment	Free-field

Maximum SPL at 10W/4M are the SPL values at 1W/4M increased with 10dB for every 1/3 octave pink noise level.

Sensitivity 100Hz-10KHz 1/3 Oct. Pink noise 1W/4 Meters

100Hz: 48 dB	125Hz: 56 dB	160Hz: 66 dB
200Hz: 70 dB	250Hz: 74 dB	315Hz: 75 dB
400Hz: 74 dB	500Hz: 75 dB	630Hz: 70 dB
800Hz: 72 dB	1KHz: 78 dB	1250Hz: 79 dB
1600Hz: 81dB	2KHz: 85 dB	2500Hz: 80 dB
3150Hz: 74 dB	4KHz: 74 dB	5KHz: 74 dB
6300Hz: 73 dB	8KHz: 72 dB	10KHz: 81 dB

Installation, Operation and Maintenance Procedures

- Open the cabinet, pressing the clip on the short end of the cabinet, and lift the cabinet from the mounting plate
- Lead cable through the cable gland and connect to terminal 70V (white – green) or 100V (white – red).
- Choose required power on the transformer.
- Fasten the mounting plate to wall or ceiling by four screws.
- Close the cabinet by clipping on the front cover.
- For optimum performance, always use the correct voltage / power and operate within the frequency limits as stated.
- Do not open loudspeaker when energized.
- This loudspeaker is supplied with two years warranty against defective workmanship.



1438

DNH reserves the right to alter specifications without notice.