



# DNH

HEAD OFFICE, NORWAY  
DNH AS

Phone..... + 47 35 98 56 00  
E-mail..... dnh@dnh.no  
Web-Site..... www.dnh.no

ENGLAND  
DNH WW Ltd

Phone..... + 44 1908 275 000  
Fax..... + 44 1908 275 100  
E-mail..... dnh@dnh.co.uk

GERMANY  
DNH GmbH

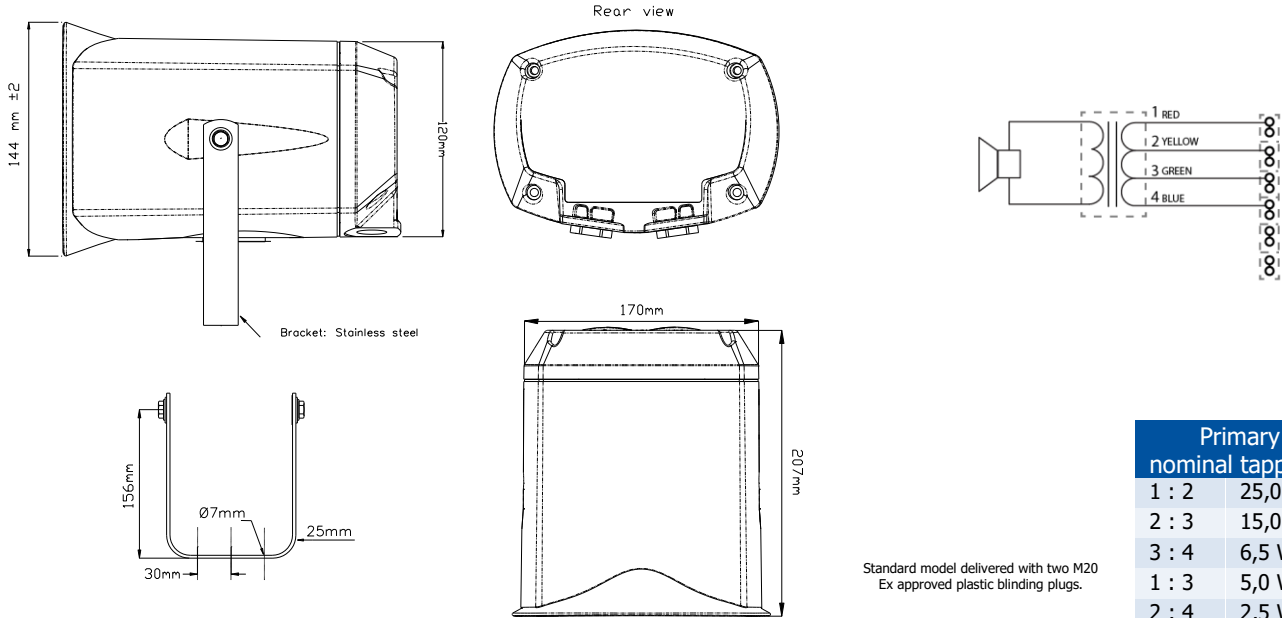
Phone... + 49 040 6569 30-0  
Fax..... + 49 040 6569 30-30  
E-mail..... dnh@dnh.de

USA  
DNH Speakers Inc

Phone..... + 1 484 494 5790  
Fax..... + 1 484 494 5793  
E-mail..... dnh@dnhspeakers.com

ISO 9001 CERTIFIED

## DSP-15EExmN(M)T(MF)-MED



| Primary nominal tapings |        |
|-------------------------|--------|
| 1 : 2                   | 25,0 W |
| 2 : 3                   | 15,0 W |
| 3 : 4                   | 6,5 W  |
| 1 : 3                   | 5,0 W  |
| 2 : 4                   | 2,5 W  |
| 1 : 4                   | 1,5 W  |

Standard model delivered with two M20 Ex approved plastic blinding plugs.

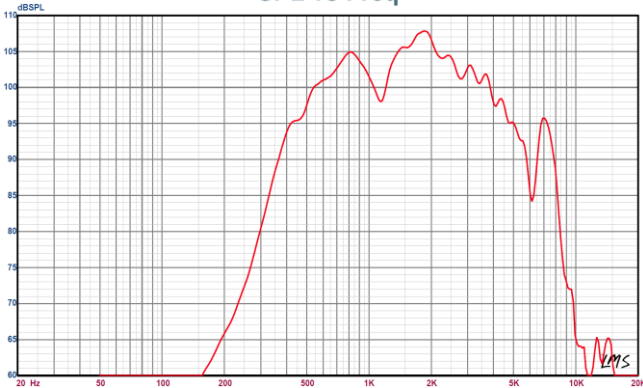
### Ex marking:

- II 2G Ex db eb mb IIB+Hz / IIC T4 Gb (Zone 1)
- II 2D Ex tb IIIC T105°C Db (Zone 21)

### Certified:

IECEX, ATEX, Inmetro, EAC, CCC, UL/CSA, BV, UKEX, +  
Contact Sales for requested certificates and marking for product.

### Sound pressure levels at 1W/1m RAV67 SPL vs Freq



### Specifications

| Specifications                  | IIB   | IIC        |
|---------------------------------|---|------------|
| Material / Color                | Anti-static PA / Black  |            |
| Mounting                        | Bracket   |            |
| Termination                     | e-chamber, push terminals   |            |
| Weight w/transformer            | 2,2 kg  |            |
| IP-rating                       | 66 / 67   |            |
| Max. / min. amb. temp           | 60°C / -50°C  |            |
| Rated / max. power              | 25 W / 30 W   |            |
| SPL 1W/1m                       | 106 dB  | 102 dB     |
| SPL rated power                 | 118 dB  | 114 dB     |
| Effective freq. range           | 380 – 8000 Hz   | 450-7000   |
| Dispersion (-6dB) 1kHz / 4kHz   | 120° / 37°  | 105° / 35° |
| Directivity factor, Q 1kHz/4kHz | 4,5 / 9,6   |            |
| Safe Compass Distance           | 1,25 m  |            |
| Options                         | labels, transformers, monitoring(M), maintenance free (MF), cables, bracket |            |

## Installation, Operation and Maintenance Procedures

- Remove lid by four screws, lead cable through the cable gland and connect to terminal with required tapping.
- Every time the back lid is removed, check that the gasket is fitted correctly to the lid before you refit the back lid. Do not use any lubricants on the gasket.
- Screw lid back into place by four screws with a torque of 0,95-1,2 Nm to assure the IP rating.
- To change the position of the loudspeaker, please adjust the standard U-bracket (by loosening / tightening the screws) as required.
- Use only IECEX/ATEX certified "Ex eb" cable glands and blinding plugs reflecting the same IP rating and temperature range as the loudspeaker.
- Standard model delivered with two M20 Ex approved plastic blinding plugs.
- DSP-15EExmN(T) can be supplied with three different bracket systems, according to customer requirements.
- For optimum performance, always use the correct voltage / power and operate within the frequency limits as stated.
- Do not open loudspeaker when energized.
- This loudspeaker is supplied with two years warranty against defective workmanship.
- With internal temperature fuse.

DNH reserves the right to alter specifications without notice.

