



DNH

HEAD OFFICE, NORWAY

DNH AS

Phone..... + 47 35 98 56 00

E-mail..... dnh@dnh.no

Web-Site..... www.dnh.no

ENGLAND

DNH WW Ltd

Phone..... + 44 1908 275 000

Fax..... + 44 1908 275 100

E-mail..... dnh@dnh.co.uk

GERMANY

DNH GmbH

Phone... + 49 040 6569 30-0

Fax..... + 49 040 6569 30-30

E-mail..... dnh@dnh.de

USA

DNH Speakers Inc

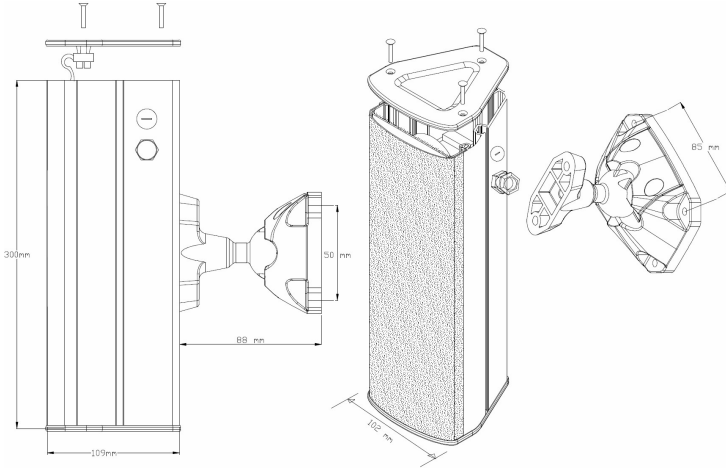
Phone..... + 1 484 494 5790


Fax..... + 1 484 494 5793

E-mail..dnh@dnhspeakers.com

ISO 9001 CERTIFIED

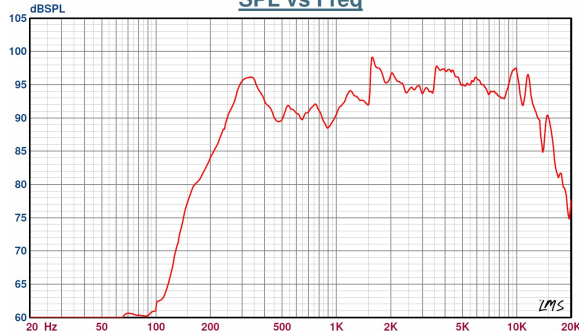
CAS-15-54 (T)



Tested acc. To EN54-24
Type: B 
Manufactured by DNH A/S
Kragerø, Norway
14 1438-CPR-1015

100 Volt transformer		
T-48/S/8/1000(490)CE		
Alt. 70V/50V		
Secondary nominal tappings		
Common : 1	15 W	735 Ω
Common : 2	7,5 W	1330Ω
Common : 3	4 W	2500Ω
Common : 4	2 W	5800Ω

Sound pressure levels at 1W/1m
SPL vs Freq



Horizontal coverage angles (HCA) / Vertical coverage angles (VCA) (-6dB)			
1 Oct. Pink noise	500Hz	360°	360°
1 Oct. Pink noise	1KHz	75°	150°
1 Oct. Pink noise	2KHz	40°	130°
1 Oct. Pink noise	4KHz	22°	90°

Specifications acc. testing CNBOP / DNH

Material / Color	Aluminum / RAL 9006
Mounting	Aluminum Bracket
Termination	Ceramic terminal
Weight w/transformer	1,9 kg
IP-rating	33 / 55
Max. / min. amb. temp	70°C to -25°C / 90°C to -40°C
Rated power	15 W
Sensitivity 1W/4m	75 dB
SPL 15W/4m	86 dB
Effective freq. range	100 – 20000 Hz
Measurement environment	Free-field

Sensitivity 100Hz-10KHz 1/3 Oct. Pink noise 1W/4 Meters

100Hz:	37 dB	125Hz:	45 dB	160Hz:	54 dB
200Hz:	59 dB	250Hz:	67 dB	315Hz:	67 dB
400Hz:	62 dB	500Hz:	62 dB	630Hz:	62 dB
800Hz:	62 dB	1KHz:	63 dB	1250Hz:	64 dB
1600Hz:	64 dB	2KHz:	66 dB	2500Hz:	67 dB
3150Hz:	67 dB	4KHz:	64 dB	5KHz:	64 dB
6300Hz:	63 dB	8KHz:	63 dB	10KHz:	65 dB

CAS-15-54 (T) has been tested in 100 hours max power (15W). The model does not deviate more than ± 3 dB from the original test value. The frequency response curve and impedance comply with the original one. All SPL tests are performed in an anechoic chamber ($<70m^3$).

Installation, Operation and Maintenance Procedures

- Unscrew lid and connect to terminal.
- Select power on transformer.
- Fasten lid with 1,5 Nm to assure IP rating.
- Screw bracket onto wanted position.
- For optimum performance, always use the correct voltage / power and operate within the frequency limits as stated.
- Do not open loudspeaker when energized.
- This loudspeaker is supplied with two years warranty against defective workmanship.

