



DNH

HEAD OFFICE, NORWAY

DNH AS

Phone..... + 47 35 98 56 00

E-mail..... dnh@dnh.no

Web-Site..... www.dnh.no

ENGLAND

DNH WW Ltd

Phone..... + 44 1908 275 000

Fax..... + 44 1908 275 100

E-mail..... dnh@dnh.co.uk

GERMANY

DNH GmbH

Phone... + 49 040 6569 30-0

Fax..... + 49 040 6569 30-30

E-mail..... dnh@dnh.de

USA

DNH Speakers Inc

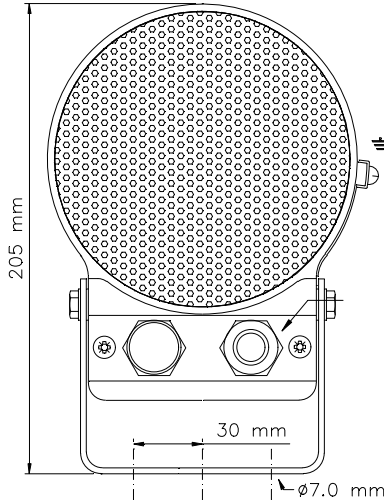
Phone..... + 1 484 494 5790

Fax..... + 1 484 494 5793

E-mail..dnh@dnhspeakers.com

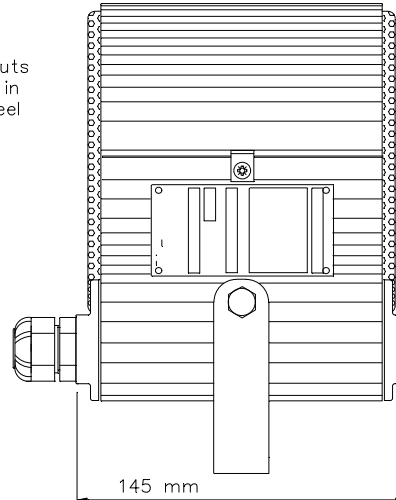
ISO 9001 CERTIFIED

CAPEEX-6(T)

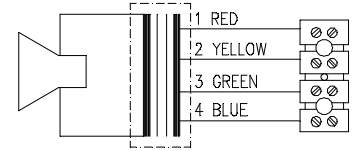


Standard model delivered with two M20
Ex approved plastic blinding plugs.

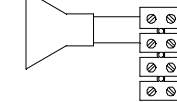
All outside nuts
and screws in
stainless steel



CIRCUIT DIAGRAM
TRANSFORMER



CIRCUIT DIAGRAM
LOW IMPEDANCE LINE



100V transformer
Primary
nominal tapings

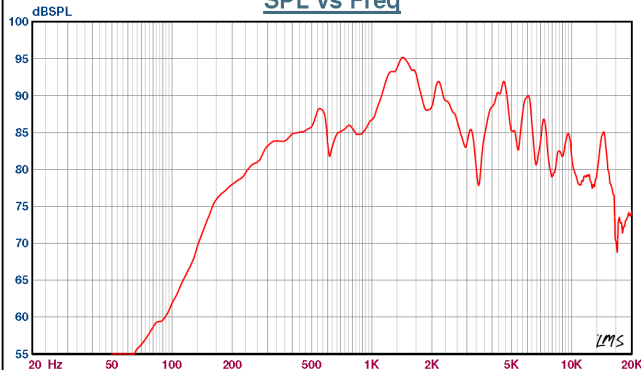
1 : 2	6,0 W
2 : 3	3,0 W
3 : 4	1,5 W
1 : 3	1,0 W
2 : 4	0,5 W
1 : 4	0,3 W

Certified by / Certification code / Number: NEMKO / EEx de IIB+H2 T6 Gb/ Nemko 10 ATEX 1054
IECEx NEM 11.0016



Sound pressure levels at 1W/1m

SPL vs Freq



Specifications

Material / Color	Aluminum / anodized
Mounting	Bracket
Termination	e-chamber, screw terminals
Weight w/transformer	3,6 kg
IP-rating	54
Max. / min. amb. temp	40°C / -20°C
Rated / max. power	6 W / 15 W
SPL 1W/1m	90 dB
SPL rated power	97 dB
Effective freq. range	160 – 16000 Hz
Dispersion (-6dB) 1kHz / 4kHz	200° / 40°
Directivity factor, Q 1kHz	1,8
Options	Impedances, labels

Installation, Operation and Maintenance Procedures

- Remove the terminal lid by two screws.
- Lead cable through cable gland and connect to terminal according required tapping.
- Screw the lid back into place with two screws with a torque of 2 – 2,2 Nm to assure the IP rating.
- To change the position of the loudspeaker, please adjust bracket (by loosening / tightening the screws) as required.
- For optimum performance, always use the correct voltage / power and operate within the frequency limits as stated.
- Use only certified/specified cable glands and blanking plugs.
- Standard model delivered with two M20 Ex approved plastic blinding plugs.
- Do not open loudspeaker when energized.
- This loudspeaker is supplied with two years warranty against defective workmanship.

DNH reserves the right to alter specifications without notice.

