



DNH

HEAD OFFICE, NORWAY

DNH AS

Phone..... + 47 35 98 56 00
 Fax..... + 47 35 98 56 10
 E-mail..... dnh@dnh.no
 Web-Site..... www.dnh.no

ENGLAND

DNH WW Ltd

Phone..... + 44 1908 275 000
 Fax..... + 44 1908 275 100
 E-mail..... dnh@dnh.co.uk

GERMANY

DNH GmbH

Phone... + 49 040 6569 30-0
 Fax..... + 49 040 6569 30-30
 E-mail..... dnh@dnh.de

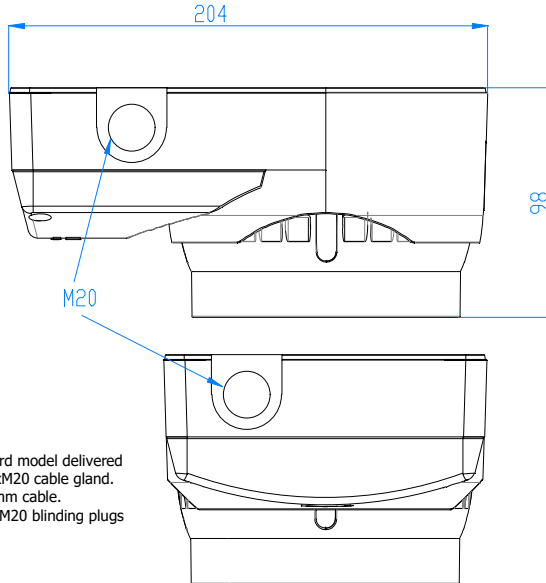
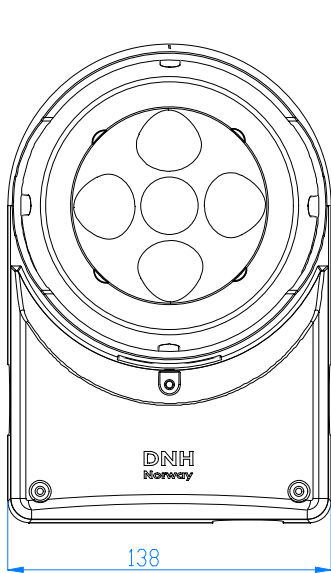
USA

DNH Speakers Inc

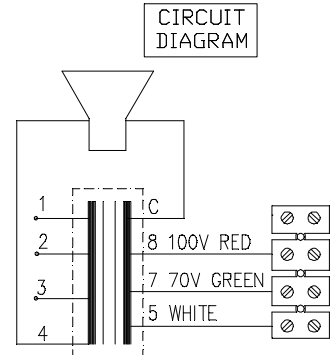
Phone..... + 1 484 494 5790
 Fax..... + 1 484 494 5793
 E-mail..dnh@dnhspeakers.com

ISO 9001 CERTIFIED

LP-210(T)



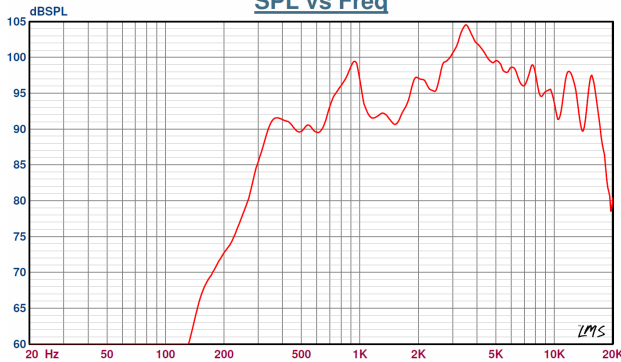
Standard model delivered with 1xM20 cable gland. 5 -12 mm cable. And 2xM20 blinding plugs



Secondary nominal tapings	
C : 1	10 W
C : 2	5 W
C : 3	2,5 W
C : 4	1 W

Sound pressure levels at 1W/1m w/P-5/15 PS

SPL vs Freq



Specifications

Material / Color	Polyamide UL94 V0 / RAL 7035
Mounting	Screws and keyhole
Termination	Spring clamps
Weight w/transformer	1 Kg
IP-rating	56
Max. / min. amb. temp	110°C / -50°C
Rated power	10 W
SPL 1W/1m	101 dB
SPL rated power	111 dB
Effective freq. range	300 – 20000 Hz
Options	Impedances, colors, labels

Installation, Operation and Maintenance Procedures

- Remove the front lid by three screws.
- Screw the loudspeaker to wall or ceiling by three screws.
- Lead cable through cable gland, connect to terminal (70V or 100V) and select required tapping in to the transformer.
- To change the direction of the loudspeaker, adjust the sound unit into the required direction.
- Screw the lid back into place by three screws to secure the lid and hold the loudspeaker in the selected direction.
- The lid must be loosened before adjusting the direction of the loudspeaker.
- For optimum performance, always use the correct voltage / power and operate within the frequency limits as stated.
- Do not open the loudspeaker when energized.
- This loudspeaker is supplied with two years warranty against defective workmanship.

DNH reserves the right to alter specifications without notice.

