



DNH

HEAD OFFICE, NORWAY

DNH AS

Phone..... + 47 35 98 56 00

Fax..... + 47 35 98 56 10

E-mail..... dnh@dnh.no

Web-Site..... www.dnh.no

ISO 9001 CERTIFIED

ENGLAND

DNH WW Ltd

Phone..... + 44 1908 275 000

Fax..... + 44 1908 275 100

E-mail..... dnh@dnh.co.uk

GERMANY

DNH GmbH

Phone... + 49 040 6569 30-0

Fax..... + 49 040 6569 30-30

E-mail..... dnh@dnh.de

USA

DNH Speakers Inc

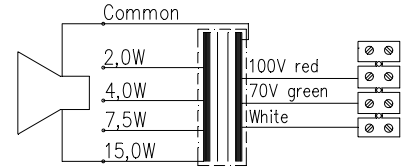
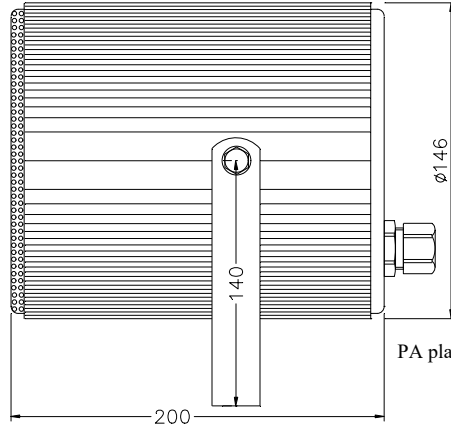
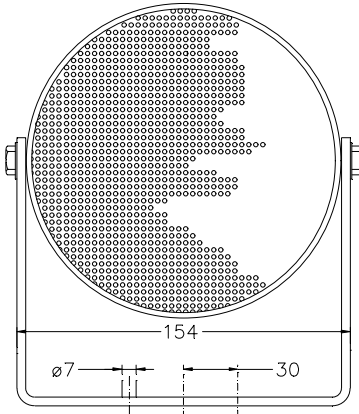
Phone..... + 1 484 494 5790

Fax..... + 1 484 494 5793

E-mail..... dnh@dnhspeakers.com

CAP-15WCR(T)

Circuit diagram



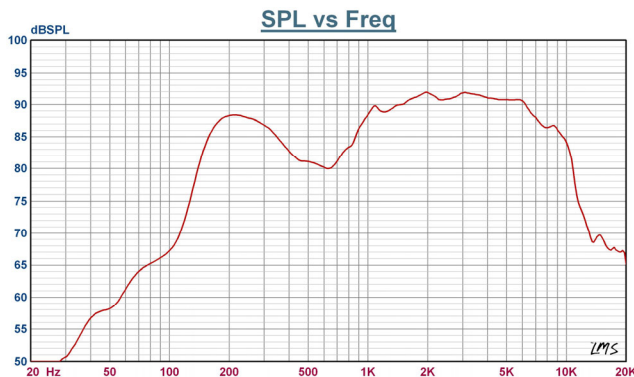
70/100 Volt combined transformer
Primary connections

White : Green 70 V
White : Red 100 V

Secondary nominal tappings

C : 15W 15,0W
C : 7,5W 7,5W
C : 4,0W 4,0W
C : 2,0W 2,0W

Sound pressure levels at 1W/1m



Specifications

Material / Color	(Aluminum/PA)/RAL9010 or anodized
Mounting	Bracket
Termination	Screw terminal
Weight w/transformer	2,4 kg
IP-rating	55
Max. / min. amb. temp	90°C / -40°C
Rated power	15W
SPL 1W/1m	85 dB
SPL rated power	96 dB
Effective freq. range	125 – 12000 Hz
Dispersion (-6dB) 1kHz	115° / 80°
Options	Impedances, colors, labels

Installation, Operation and Maintenance Procedures

- Fasten bracket with three screws.
- Remove lid by four screws, lead cable through the cable gland and connect to terminal 70V (white – green) or 100V (white – red).
- Choose required power on the transformer.
- Screw lid back into place by four screws with a torque of 1,5 Nm to assure the IP rating.
- CAP-15WCR(T) is designed for clean room applications.
- For optimum performance, always use the correct voltage / power and operate within the frequency limits as stated.
- Do not open loudspeaker when energized.
- This loudspeaker is supplied with two years warranty against defective workmanship.

DNH reserves the right to alter specifications without notice.

