



DNH

HEAD OFFICE, NORWAY

DNH AS

Phone..... + 47 35 98 56 00

Fax..... + 47 35 98 56 10

E-mail..... dnh@dnh.no

Web-Site..... www.dnh.no

ENGLAND

DNH WW Ltd

Phone..... + 44 1908 275 000

Fax..... + 44 1908 275 100

E-mail..... dnh@dnh.co.uk

GERMANY

DNH GmbH

Phone... + 49 040 6569 30-0

Fax..... + 49 040 6569 30-30

E-mail..... dnh@dnh.de

BPF-560(T)

USA

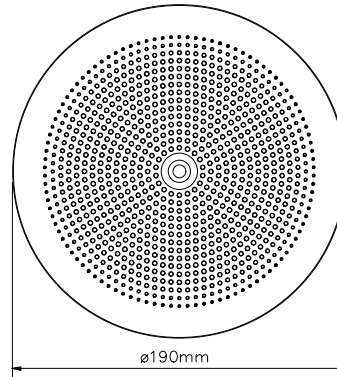
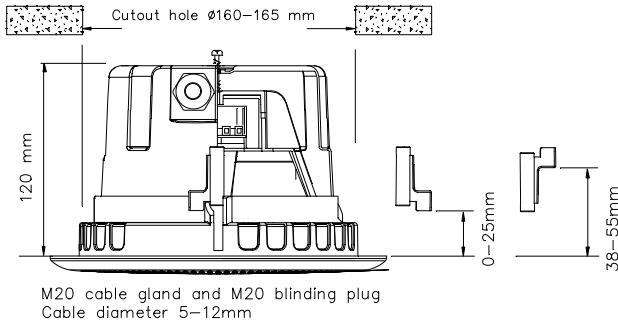
DNH Speakers Inc

Phone..... + 1 484 494 5790

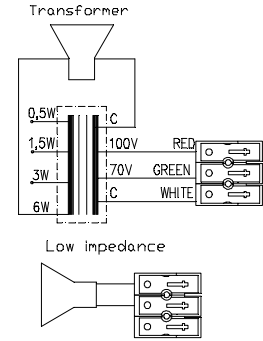
Fax..... + 1 484 494 5793

E-mail..dnh@dnhspeakers.com

ISO 9001 CERTIFIED

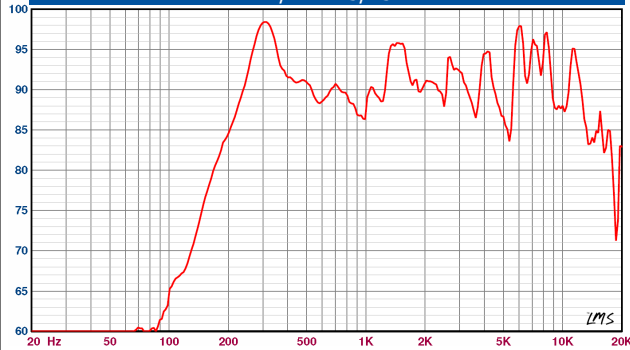


CIRCUIT DIAGRAM



70/100 Volt combined transformer	
Primary connections	
White : Green	70 V
White : Red	100 V
Secondary nominal tapings	
C : 6	6,0 W
C : 3	3,0 W
C : 1,5	1,5 W
C : 0,5	0,5 W

Sound pressure levels at different frequencies at 1W/1m P-5/15B



Specifications

Material / Color	PA / ABS / RAL9010
Mounting	Hooks
Termination	Spring clamp
Weight w/transformer	0,9 kg
IP-rating	32
Max. / min. amb. temp	90°C / -20°C
Rated power	6 W
SPL 1W/1m	90 dB
SPL rated power	97 dB
Effective freq. range	190 – 20000 Hz
Dispersion (-6dB) 1kHz / 4kHz	160° / 55° (baffle)
Options	Impedances, colors, labels

Installation, Operation and Maintenance Procedures

- Install the ring into the cut-out hole turning the screws connected to the three hooks, screw clockwise until the ring is fixed to the ceiling.
- Lead cable into the box, connect to terminal (70V or 100V) and select required tapping in to the transformer.
- Screw box back into place with one screw.
- Turn the grille gently clockwise within the ring until it stops.
- Hooks can be mounted both ways, see drawing at the top of the page.
- For optimum performance, always use the correct voltage / power and operate within the frequency limits as stated.
- Do not open loudspeaker when energized.
- This loudspeaker is supplied with two years warranty against defective workmanship.

DNH reserves the right to alter specifications without notice

