



DNH

HEAD OFFICE, NORWAY
DNH AS

Phone..... + 47 35 98 56 00
Fax..... + 47 35 98 56 10
E-mail..... dnh@dnh.no
Web-Site..... www.dnh.no

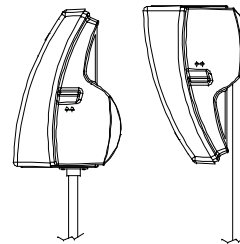
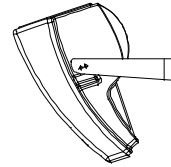
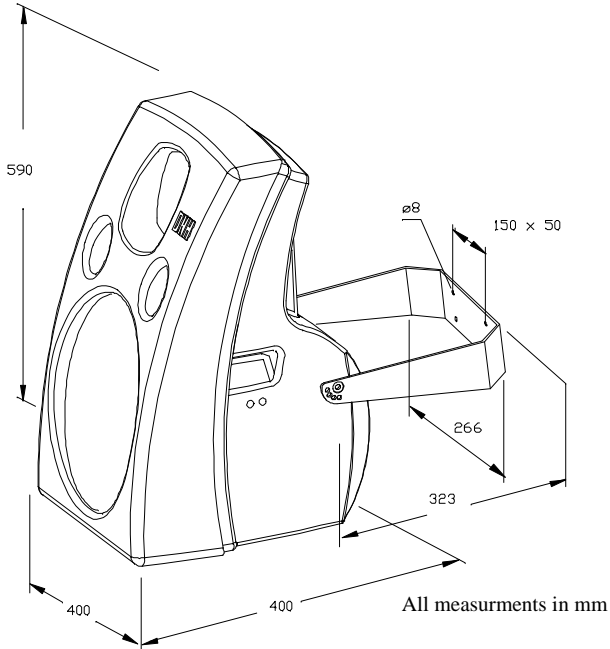
ENGLAND
DNH WW Ltd
Phone..... + 44 1908 275 000
Fax..... + 44 1908 275 100
E-mail..... dnh@dnh.co.uk

GERMANY
DNH GmbH
Phone... + 49 040 6569 30-0
Fax..... + 49 040 6569 30-30
E-mail..... dnh@dnh.de

MD-300(T)

USA
DNH Speakers Inc
Phone..... + 1 484 494 5790
Fax..... + 1 484 494 5793
E-mail..... dnh@dnhspeakers.com

ISO 9001 CERTIFIED



Optional Tripod

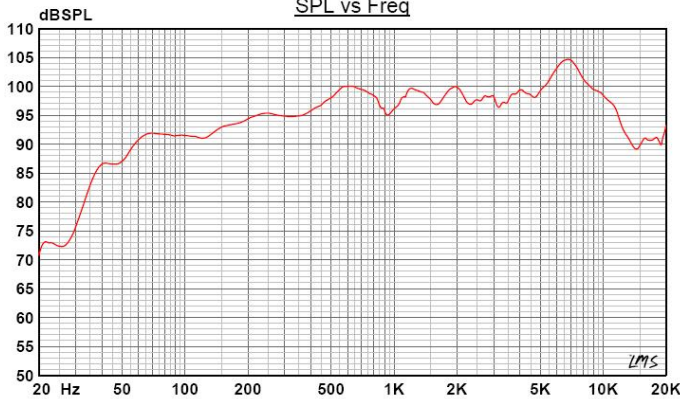
Available with transformer on request

Secondary switch nominal tappings

1 : 2	300 W
1 : 3	150 W
1 : 4	75 W

Sound pressure levels at 1W/1m

SPL vs Freq



Specifications

Material / Color	PE / Black
Mounting	Bracket, Tripod
Termination	Screw terminal
Weight / With transformer	13 Kg / 20 Kg
IP-rating	54
Max. / min. amb. temp	90°C / -40°C
Rated / max. power	300 W / 300 W
SPL 1W/1m	96 dB
SPL rated power	121 dB
Effective freq. range	35 – 20000 Hz
Options	Impedances, colors, labels

Installation, Operation and Maintenance Procedures

- MD-300 is available with 300 W transformer, and optional brackets.
- Screw bracket to cabinet with four screws.
- For optimum performance, always use the correct voltage / power and operate within the frequency limits as stated on the label.
- Take care when loudspeaker is energized (100V).
- This loudspeaker is supplied with a two years warranty against defective workmanship.

DNH reserves the right to alter specifications without notice

