



DNH

HEAD OFFICE, NORWAY

DNH AS

Phone..... + 47 35 98 56 00

Fax..... + 47 35 98 56 10

E-mail..... dnh@dnh.no

Web-Site..... www.dnh.no

ENGLAND

DNH WW Ltd

Phone..... + 44 1908 275 000

Fax..... + 44 1908 275 100

E-mail..... dnh@dnh.co.uk

GERMANY

DNH GmbH

Phone... + 49 040 6569 30-0

Fax..... + 49 040 6569 30-30

E-mail..... dnh@dnh.de

USA

DNH Speakers Inc

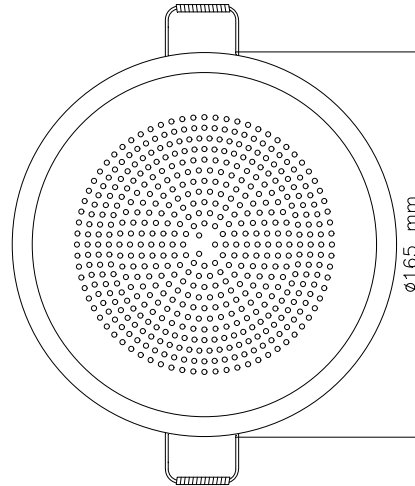
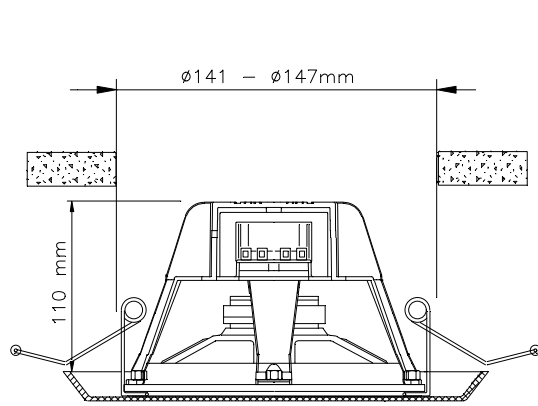
Phone..... + 1 484 494 5790

Fax..... + 1 484 494 5793

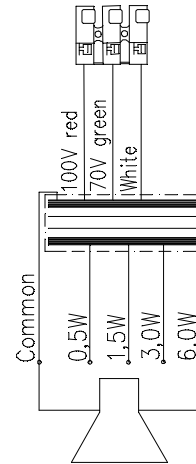
E-mail..... dnh@dnhspeakers.com

ISO 9001 CERTIFIED

BK-560CR(T)

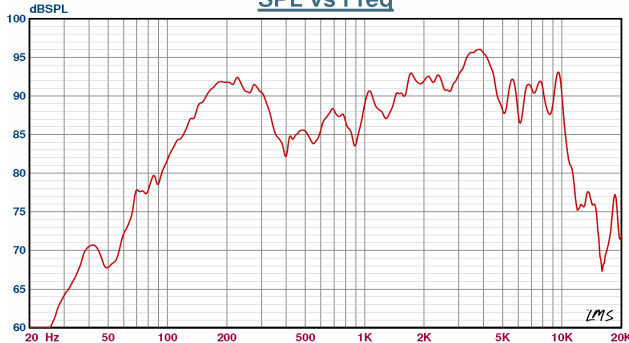


Circuit diagram



Sound pressure levels at 1W/1m

SPL vs Freq



Specifications

Material / Color	Aluminum / RAL9010
Mounting	Springs
Termination	Spring clamp
Weight w/transformer	0,9 kg
Max. / min. amb. temp	90°C / -20°C
Rated / max. power	6 W / 10 W
SPL 1W/1m	88 dB
SPL rated power	95 dB
Effective freq. range	70 – 12000 Hz
Dispersion (-6dB) 1kHz / 4kHz	150° / 70°
Options	Impedances, colors, labels

Installation, Operation and Maintenance Procedures

- Install loudspeaker grille by bending back two springs and insert in to the hole.
- BK-560CR(T) is designed for clean room applications.
- Connect cable to terminal 70V (white – green) or 100V (white – red).
- For optimum performance, always use the correct voltage / power and operate within the frequency limits as stated.
- Do not open loudspeaker when energized.
- This loudspeaker is supplied with two years warranty against defective workmanship.

DNH reserves the right to alter specifications without notice.

