



# DNH

HEAD OFFICE, NORWAY  
DNH AS

Phone..... + 47 35 98 56 00  
Fax..... + 47 35 98 56 10  
E-mail..... dnh@dnh.no  
Web-Site..... www.dnh.no

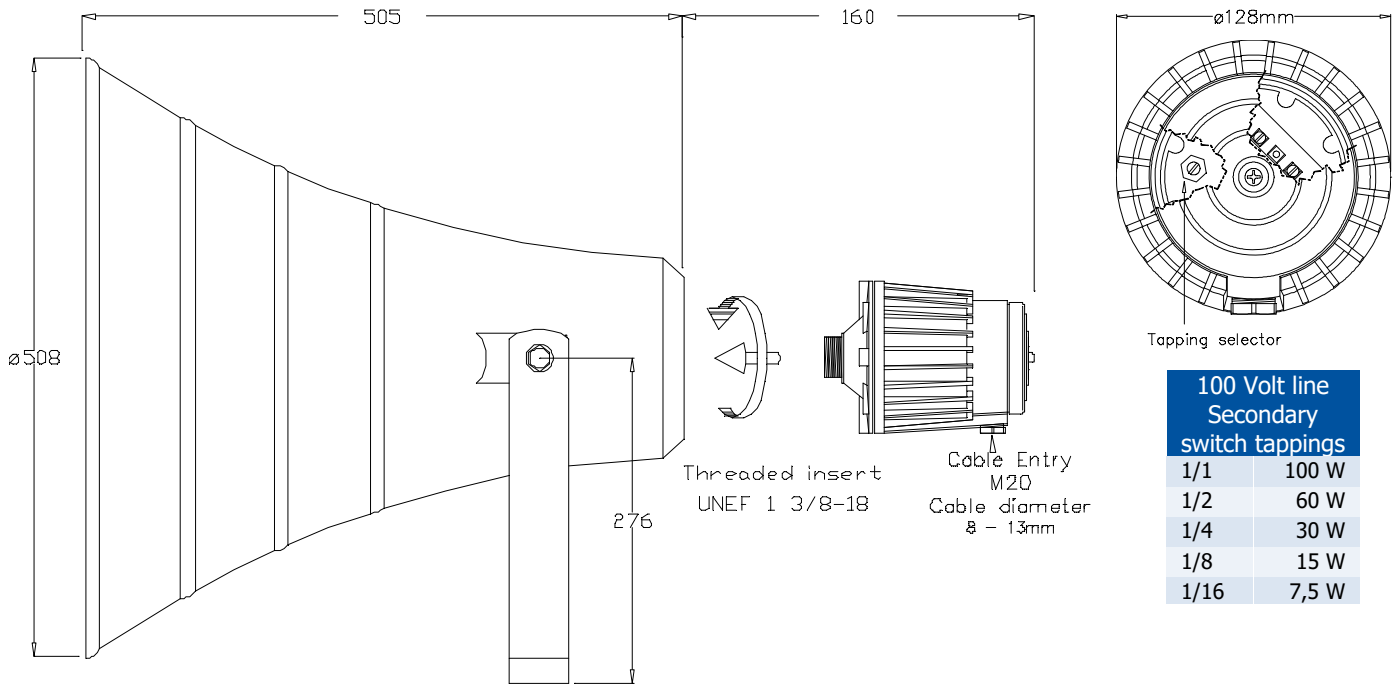
ENGLAND  
DNH WW Ltd  
Phone..... + 44 1908 275 000  
Fax..... + 44 1908 275 100  
E-mail..... dnh@dnh.co.uk

GERMANY  
DNH GmbH  
Phone... + 49 040 6569 30-0  
Fax..... + 49 040 6569 30-30  
E-mail..... dnh@dnh.de

USA  
DNH Speakers Inc  
Phone..... + 1 484 494 5790  
Fax..... + 1 484 494 5793  
E-mail..... dnh@dnhspeakers.com

## DS(T)-100 / DH-50

ISO 9001 CERTIFIED



100 Volt line Secondary switch tappings	
1/1	100 W
1/2	60 W
1/4	30 W
1/8	15 W
1/16	7,5 W

Sound pressure levels at 1W/1m

SPL vs Freq



Specifications

Material / Color	Polyester / Aluminum alloy / RAL 7035
Mounting	Bracket / Threaded UNEF 1 3/8 - 18
Termination	Inside screw terminals
Weight	7,7 kg
IP-rating	67
Max. / min. amb. temp	110°C / -50°C
Rated / max. power	100 W / 100 W
SPL 1W/1m	112 dB
SPL rated power	132 dB
Effective freq. range	200 – 5500 Hz
Dispersion (-6dB) 1kHz / 4kHz	42° / 25°
Directivity factor, Q1kHz/4kHz	8,5 / 14,2
Options	Impedances, colors, labels

### Installation, Operation and Maintenance Procedures

- DS-100 and DH-50 use UNEF 1 3/8-18 thread.
- Screw DS-100 on to DH-50 using enclosed gasket until the driver is in contact with the gasket, then continue screwing the driver for 180° to 270°. UNEF 1 3/8 -18 thread.
- Remove lid, lead cable trough cable gland and connect cable to terminal.
- Choose required power with tapping selector.
- Tighten cable gland and screw lid back on 2 Nm
- For optimum performance, always use the correct voltage / power and operate within the frequency limits as stated.
- Do not open loudspeaker when energized.
- This loudspeaker is supplied with two years warranty against defective workmanship.

DNH reserves the right to alter specifications without notice

