



# DNH

HEAD OFFICE, NORWAY

**DNH AS**

Phone..... + 47 35 98 56 00

E-mail..... dnh@dnh.no

Web-Site..... www.dnh.no

ENGLAND

**DNH WW Ltd**

Phone..... + 44 1908 275 000

Fax..... + 44 1908 275 100

E-mail..... dnh@dnh.co.uk

GERMANY

**DNH GmbH**

Phone... + 49 040 6569 30-0

Fax..... + 49 040 6569 30-30

E-mail..... dnh@dnh.de

USA

**DNH Speakers Inc**

Phone..... + 1 484 494 5790

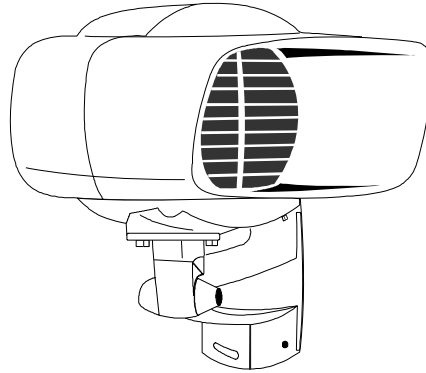
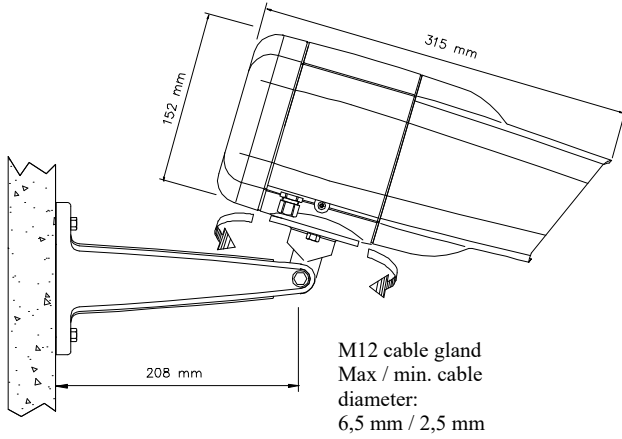
Fax..... + 1 484 494 5793

E-mail..... dnh@dnhspeakers.com

## DP-30(T)

ISO 9001 CERTIFIED

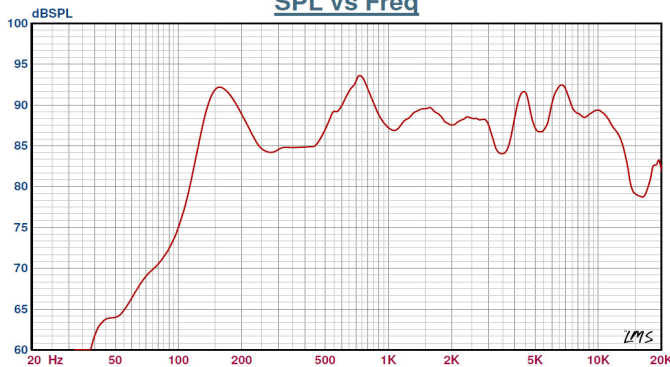
All outside nuts and screws in stainless steel.



Optional with stainless steel bracket

70/100 Volt combined transformer	
Primary connections	
White : Green	70 V
White : Red	100 V
Secondary nominal tapings	
1 : 4	30,0W
1 : 3	15,0W
2 : 4	10,0W
1 : 2	7,5 W
3 : 4	3,5 W
2 : 3	2,0 W

Sound pressure levels at 1W/1m  
**SPL vs Freq**



Specifications

Material / Color	Plastic /RAL 7035
Mounting	Polyamide Swivel Bracket
Termination	Screw terminal
Weight w/transformer	3,0 kg
IP-rating	55
Max. / min. amb. temp	150°C / -40°C
Rated power	30W
SPL 1W/1m	89 dB
SPL rated power	104 dB
Effective freq. range	110 – 20000 Hz
Dispersion (-6dB) 1kHz / 4kHz	110° / 40°
Options	Impedances, colors, labels

### Installation, Operation and Maintenance Procedures

- Fasten the DP bracket to wall or ceiling with 2-4 screws. Install the loudspeaker on swivel bracket with the two enclosed bolts and washers. This unique bracket system allows multiple positioning options. Find the preferable position of the loudspeaker and secure the position with tightening the extra hexagonal screw on bracket.
- Remove the lid on the side of the loudspeaker.
- Connect to terminal (70V or 100V) and select required tapping in to the transformer.
- For optimum performance, always use the correct voltage / power and operate within the frequency limits as stated.
- Do not open while energized (100 V).
- This loudspeaker is supplied with two years warranty against defective workmanship.

DNH reserves the right to alter specifications without notice.

