



DNH

HEAD OFFICE, NORWAY

DNH AS

Phone..... + 47 35 98 56 00

E-mail..... dnh@dnh.no

Web-Site..... www.dnh.no

ENGLAND

DNH WW Ltd

Phone..... + 44 1908 275 000

Fax..... + 44 1908 275 100

E-mail..... dnh@dnh.co.uk

GERMANY

DNH GmbH

Phone... + 49 040 6569 30-0

Fax..... + 49 040 6569 30-30

E-mail..... dnh@dnh.de

USA

DNH Speakers Inc

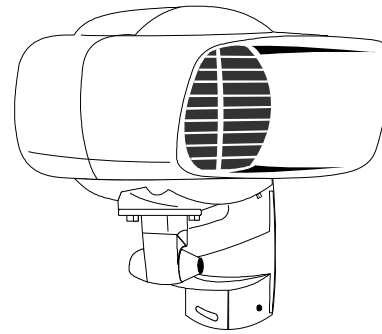
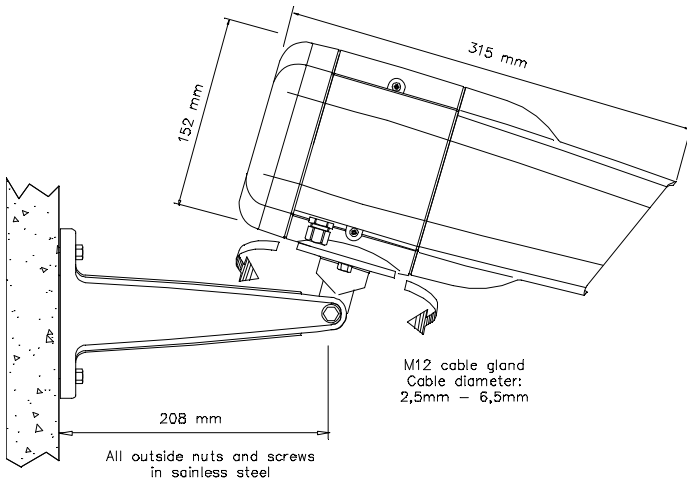
Phone..... + 1 484 494 5790

Fax..... + 1 484 494 5793

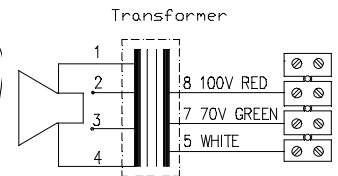
E-mail..... dnh@dnhspeakers.com

DP-10(T)

ISO 9001 CERTIFIED



CIRCUIT DIAGRAM



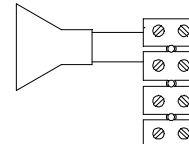
70/100 Volt combined transformer
Primary connections

White : Green	70 V
White : Red	100 V

Secondary nominal tapings

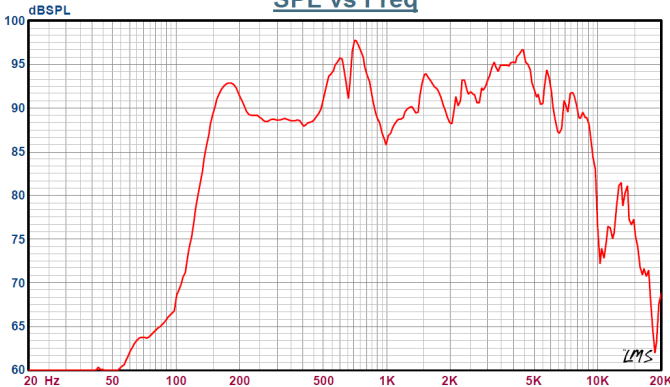
1 : 4	10,0 W
1 : 3	5,0 W
2 : 4	3,5 W
1 : 2	2,5 W
3 : 4	1,5 W
2 : 3	0,8 W

Low impedance



Sound pressure levels at 1W/1m w/P-5/15 PS

SPL vs Freq



Specifications

Material / Color	Plastic / RAL7035
Mounting	Polyamide swivel bracket
Termination	Screw terminal
Weight w/transformer	2,4 Kg
IP-rating	55
Max. / min. amb. temp	90°C / -40°C
Rated power	10W
SPL 1W/1m	92 dB
SPL rated power	102 dB
Effective freq. range	140 – 16000 Hz
Dispersion (-6dB) 1kHz / 4kHz	120° / 41° (horizontal)
Options	Impedances, colors, labels

Installation, Operation and Maintenance Procedures

- Fasten the bracket to wall or ceiling with 2-4 screws. Install the loudspeaker on swivel bracket with the two enclosed bolts and washers. This unique bracket system allows multiple positioning options. Find the preferable position of the loudspeaker and secure the position with tightening the extra hexagonal screw on bracket.
- Remove the lid on the side of the loudspeaker, connect to terminal (70V or 100V) and select required tapping into the transformer.
- Screw lid back on and be sure to tighten the cable gland.
- Connect to terminal (70V or 100V) and select required tapping into the transformer.
- For optimum performance, always use the correct voltage / power and operate within the frequency limits as stated.
- Do not open loudspeaker when energized.
- This loudspeaker is supplied with two years warranty against defective workmanship.

DNH reserves the right to alter specifications without notice.

