



# DNH

HEAD OFFICE, NORWAY

**DNH AS**

Phone..... + 47 35 98 56 00

Fax..... + 47 35 98 56 10

E-mail..... dnh@dnh.no

Web-Site..... www.dnh.no

ENGLAND

**DNH WW Ltd**

Phone..... + 44 1908 275 000

Fax..... + 44 1908 275 100

E-mail..... dnh@dnh.co.uk

GERMANY

**DNH GmbH**

Phone... + 49 040 6569 30-0

Fax..... + 49 040 6569 30-30

E-mail..... dnh@dnh.de

USA

**DNH Speakers Inc**

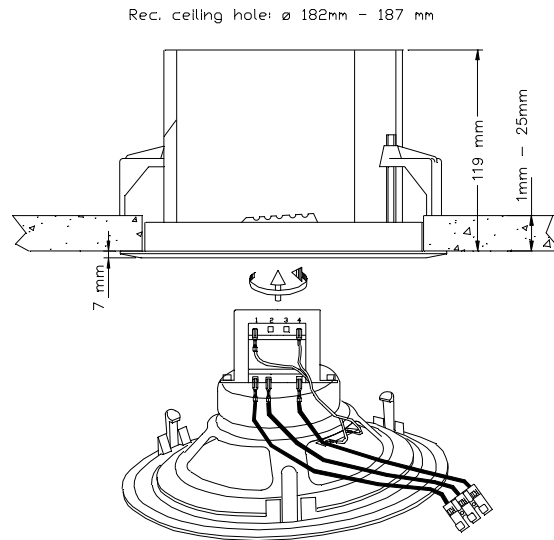
Phone..... + 1 484 494 5790

Fax..... + 1 484 494 5793

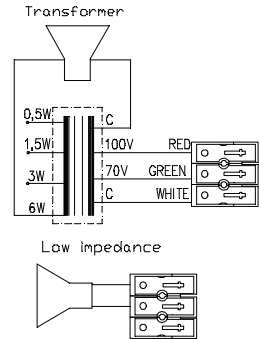
E-mail..dnh@dnhspeakers.com

ISO 9001 CERTIFIED

## B-650(T)

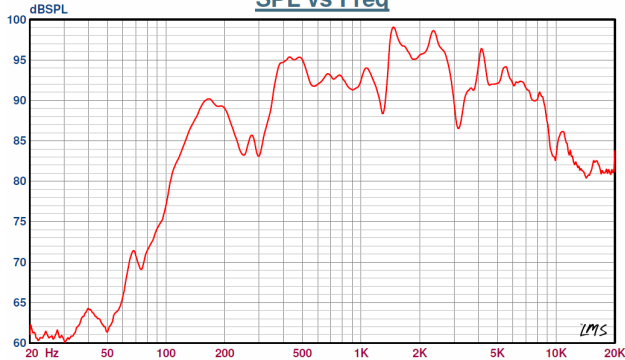


**CIRCUIT DIAGRAM**



70/100 Volt combined transformer primary connections	
White : Green	70 V
White : Red	100 V
Secondary nominal tappings	
C : 6W	6,0 W
C : 3W	3,0 W
C : 1,5W	1,5 W
C : 0,5W	0,5 W

Sound pressure levels at 1W/1m w/P-6/15B  
**SPL vs Freq**



**Specifications**

Material / Color	ABS grille, Polystyrene box / RAL9010
Mounting	3 screws
Termination	Spring clamps
Weight w/ transformer	1,1 kg
IP-rating	20
Max. / min. amb. temp	90°C / -20°C
Rated power	6 W
SPL 1W/1m	90 dB
SPL rated power	97 dB
Effective freq. range	120 – 18000 Hz
Dispersion (-6dB) 1kHz / 4kHz	155° / 60° (baffle)
Options	Impedances, colors, labels

**Installation, Operation and Maintenance Procedures**

- Lead cable into the box.
- Install the box to the ceiling by turning three screws clockwise and the three hooks will keep loudspeaker in position.
- Connect to terminal (70V or 100V) and select required tapping into the transformer.
- Screw loudspeaker grille clockwise into fixed position
- For optimum performance, always use the correct voltage / power and operate within the frequency limits as stated.
- Do not open loudspeaker when energized.
- This loudspeaker is supplied with two years warranty against defective workmanship.

DNH reserves the right to alter specifications without notice

